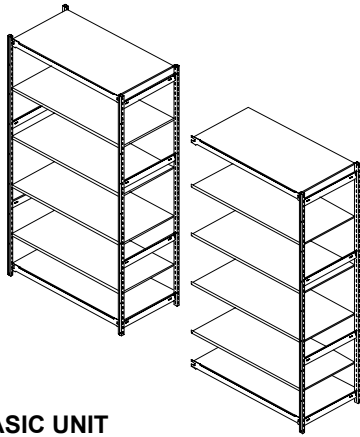


7000 SERIES EASYUP - ASSEMBLY INSTRUCTIONS

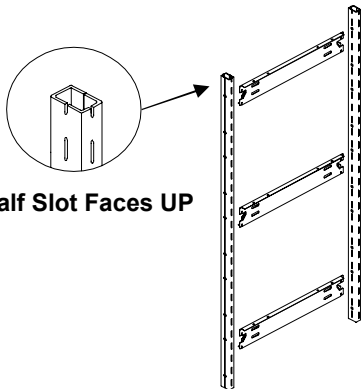


BASIC UNIT

ADD-ON UNIT

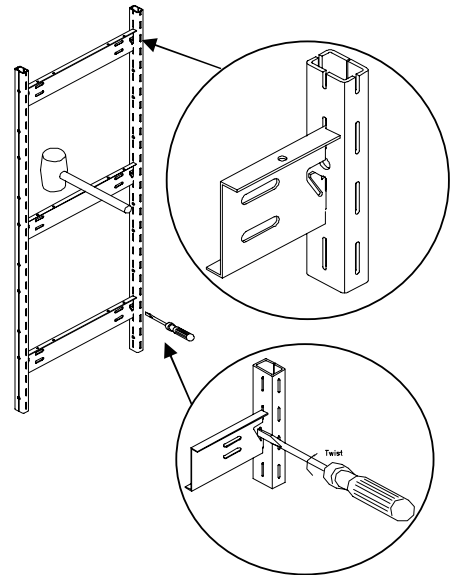
- Totally boltless and clipless shelving
- Assembly time greatly reduced
- Four interlocking components form a rigid unit
- Shelves adjust independently on 2" centres, even after installation

STEP 1 - Connect Cross Members (CM) to Posts



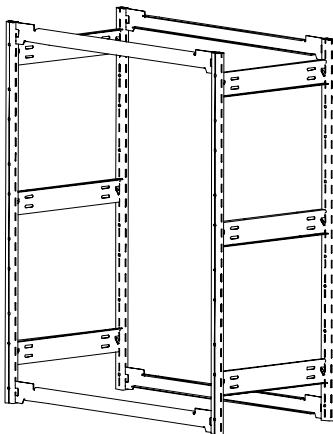
Half Slot Faces UP

Post - 4' to 7' Use 3 Cross Members
 Post - 8' to 9' Use 4 Cross Members
 Post - 10' to 12' Use 5 Cross Members
 Post - 14' to 15' Use 6 Cross Members
 (Extra Cross Members will be provided for Mezzanines)



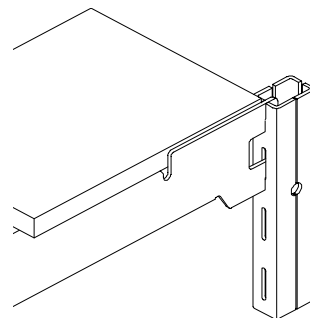
- Insert CM on wide side on Post (side with round holes).
(Lay parts on floor, start at top and work down).
- AS EACH CM IS INSTALLED tap CM's sharply with rubber mallet until inserted and secure the Locking Tabs of CM's with a slot screwdriver.
- Leave 6" to 8" from top and bottom; space CM's evenly no more than 30" apart (Locking Tab to be pointed UP).

STEP 2 - Insert Upper & Lower Beams



- Select two FRAMES with half slots up
- Connect Top and Bottom with Medium or Heavy Duty (2 hooks) Beams.

STEP 3 - Insert Shelves



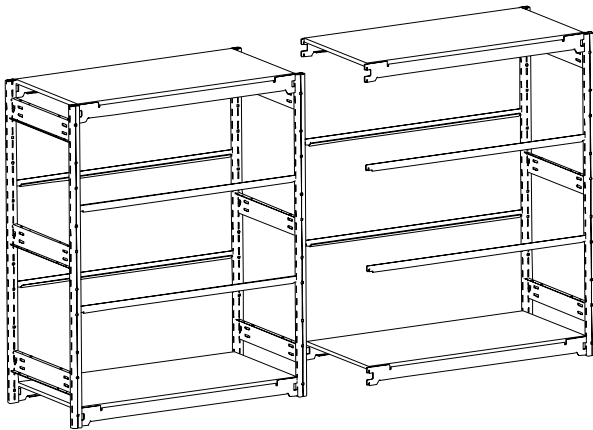
- Lay PARTICLE BOARD Shelves on top and bottom to square first unit.
- SHELVES to be placed on upper flange of Medium or Heavy Duty Beams.



NORTH AMERICAN STEEL EQUIPMENT COMPANY LTD.

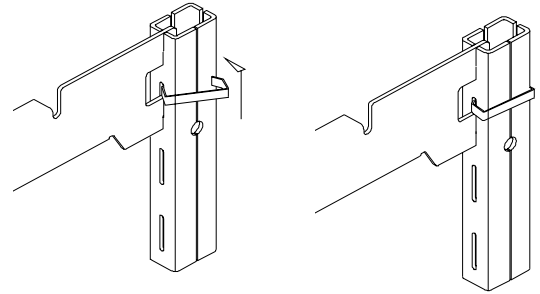
300 Hopkins St., Whitby, Ontario L1N 2B9 Canada
 Tel: (905) 668-3300 Fax: (905) 668-5477 E-mail: sales@naseco.ca

STEP 4 - Remaining Shelf Levels



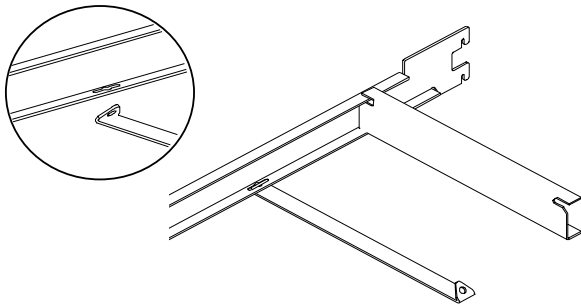
- A. Insert the remaining BEAMS.
- B. Repeat the procedure for ADD-ON units.

Safety Clips



- A. Where floor is uneven install SAFETY CLIPS on top and bottom BEAMS.
- B. Shim POSTS prior to loading the SHELVES

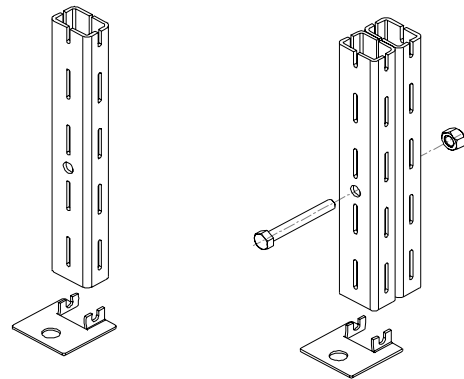
**Shelf Support and Tie Bars
(Optional for Extra Strength)**



- A. Insert TIE BAR into BEAM so that edges are facing upward.
- B. Add SHELF SUPPORTS as required.
- C. Place shelves directly on Upper Flange.

Footplates

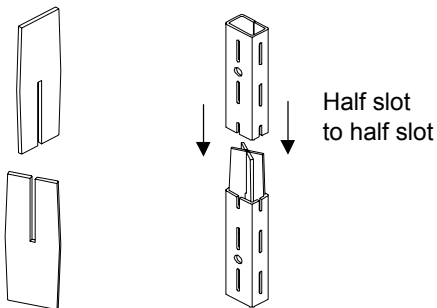
Back to Back Units



Install FOOT PLATES, if required. (optional).

NOTE: Back to back units are bolted together at top and bottom. Use only one FOOT PLATE per pair of POSTS on back to back units.

POST EXTENDERS (optional)



To be used to extend height of Shelving.



NORTH AMERICAN STEEL EQUIPMENT COMPANY LTD.

300 Hopkins St., Whitby, Ontario L1N 2B9 Canada
Tel: (905) 668-3300 Fax: (905) 668-5477 E-mail: sales@naseco.ca